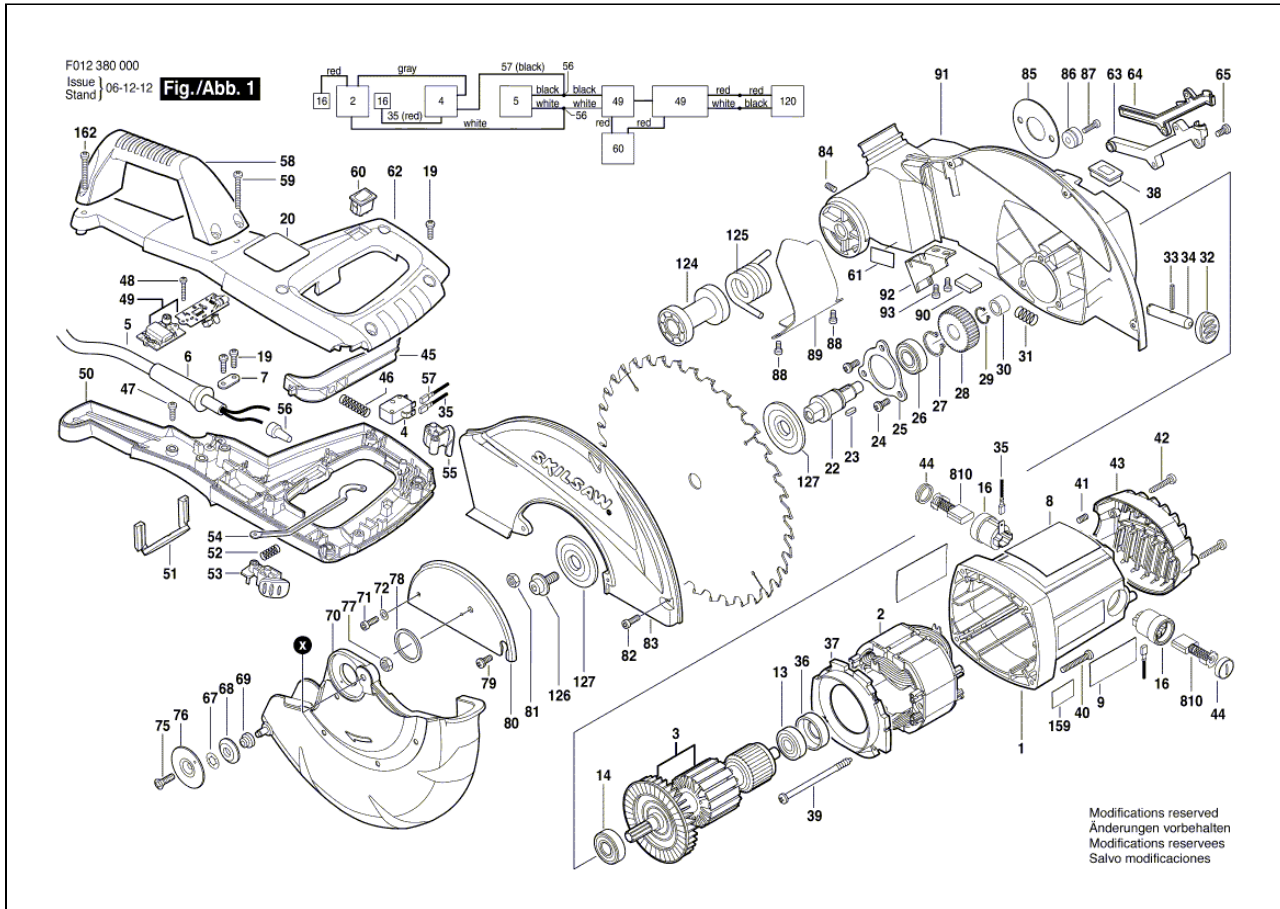


COMPOUND MITRE SAW
F 012 380 000 3800



19.05.2008 21:02:04

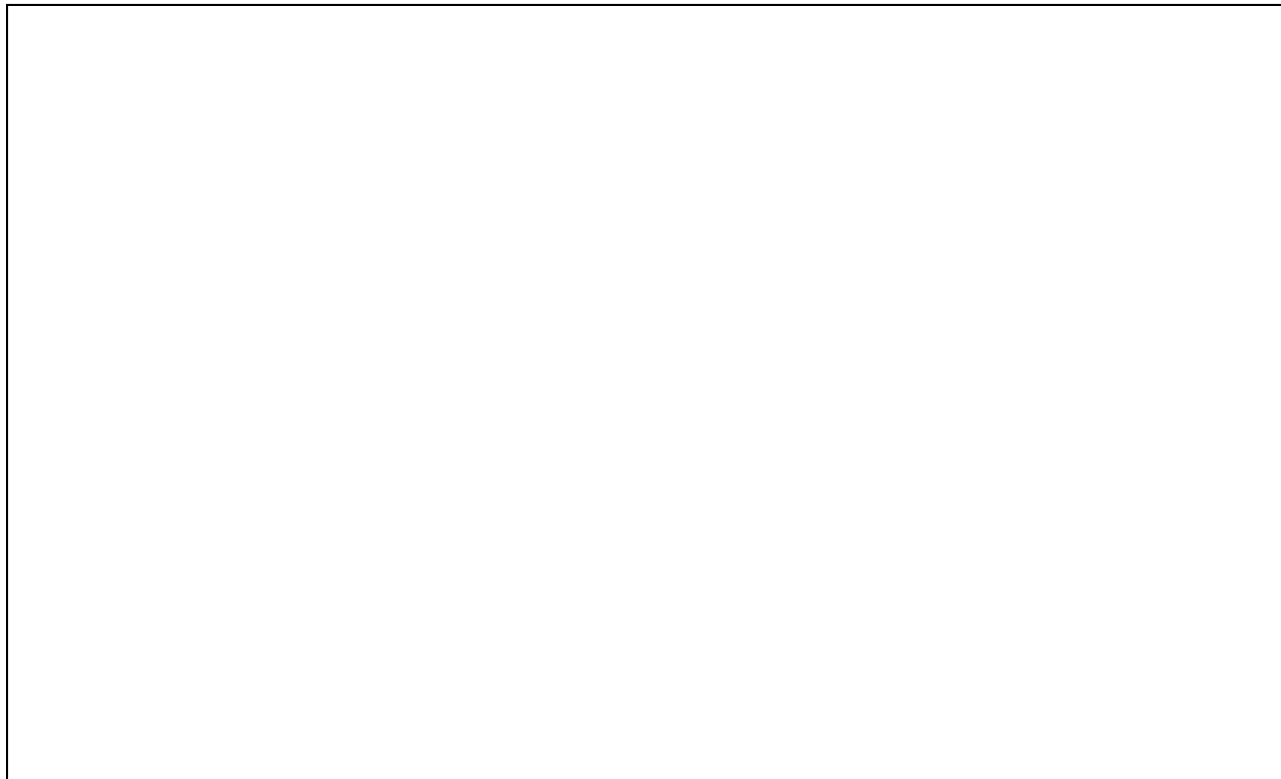


Item	Quantity	Order No.	Designation	Price group	Page
1	1	2 610 946 115	MOTOR HOUSING	27	1
2	1	2 610 946 116	FIELD	39	1
3	1	2 610 946 117	ARMATURE	44	1
4	1	2 610 946 118	MAINS SWITCH	20	1
5	1	2 610 946 119	CORD	26	1
6	1	2 610 946 120	GROMMET	12	1
7	1	2 610 946 121	CLAMP	14	1
8	1	2 610 946 122	TYPE IDENTIFYING MARK	15	1
9	1	2 610 946 123	LABEL	12	1
13	1	2 615 302 979	BALL BEARING		1
14	1	2 610 946 125	BALL BEARING	20	1
16	2	2 610 946 126	BRUSH HOLDER	18	1
19	6	2 610 946 127	SCREW	10	1
20	1	2 610 946 128	WARNING LABEL	12	1
22	1	2 610 946 129	SHAFT	20	1
23	1	2 610 946 130	Pin	10	1
24	3	2 610 922 625	SCREW	10	1
25	1	2 610 946 131	PLATE	12	1
26	1	2 610 946 132	BALL BEARING	21	1
27	1	2 610 946 133	RETAINING CLIP	10	1
28	1	2 610 946 134	CONVERSION GEAR	28	1

29	1	2 610 946 135	RETAINING CLIP	10	1
30	1	2 610 946 136	NEEDLE-ROLLER BEARING	15	1
31	1	2 610 910 770	SPRING	10	1
32	1	2 610 946 137	COVER	10	1
33	1	2 610 946 138	Pin	10	1
34	1	2 610 946 139	LOCKING PIN	12	1
35	1	2 610 946 140	LEAD WIRE	14	1
36	1	2 610 946 141	RUBBER BUSHING	11	1
37	1	2 610 946 142	BAFFLE	12	1
38	1	2 610 946 143	GROMMET	10	1
39	2	2 610 946 144	SCREW	10	1
40	4	2 610 946 145	SCREW	10	1
41	2	2 610 355 295	SCREW	12	1
42	1	2 610 912 552	SCREW	10	1
43	1	2 610 946 146	HOUSING COVER	17	1
44	2	2 610 911 487	COVER	14	1
45	1	2 610 946 147	TRIGGER	14	1
46	1	2 610 910 758	SPRING	10	1
47	1	2 610 946 148	SCREW	10	1
48	4	2 610 946 149	SCREW	10	1
49	1	2 610 946 150	SENSOR	19	1
50	1	2 610 946 151	HANDLE	25	1
51	1	2 610 946 152	LENS	11	1
52	1	2 610 946 153	COMPRESSION SPRING	10	1
53	1	2 610 946 154	BUTTON	10	1
54	1	2 610 946 155	LEVER	12	1
55	1	2 610 946 156	BUTTON	10	1
56	2	2 610 946 157	TERMINAL	10	1
57	1	2 610 946 158	LEAD WIRE	11	1
58	1	2 610 946 159	HANDLE	19	1
59	2	2 610 946 160	SCREW	10	1
60	1	2 610 946 161	MAINS SWITCH	18	1
61	1	2 610 946 162	WARNING LABEL	12	1
62	1	2 610 946 163	HANDLE	24	1
63	1	2 610 946 164	HOUSING HALF	10	1
64	1	2 610 946 165	HOUSING HALF	10	1
65	2	2 615 303 040	SCREW	10	1
66	1	2 610 946 166	SCREW	10	2
67	1	2 610 990 521	SPRING RETAINING RING	10	1
68	1	2 610 990 518	ROLLER	10	1
69	1	2 610 990 522	BEARING	10	1
70	1	2 610 946 167	PROTECTION GUARD	38	1
71	1	2 610 946 168	SCREW	10	1
72	1	2 610 946 169	SPRING WASHER	11	1
73	1	2 610 946 170	SCREW	10	2
74	1	2 610 946 171	LEVER	15	2
75	1	2 610 946 172	SCREW	10	1
76	1	2 610 946 173	COLLAR	14	1
77	1	2 610 355 332	SQUARE NUT	11	1
78	1	2 610 946 174	SPRING	10	1
79	1	2 610 355 278	SCREW	15	1
80	1	2 610 946 175	COVER	15	1
81	1	2 615 303 042	NUT	10	1
82	3	2 610 946 176	SCREW	10	1
83	1	2 610 946 177	COVER	29	1
84	2	2 610 946 178	SCREW	10	1
85	1	2 610 946 179	SHIM	10	1

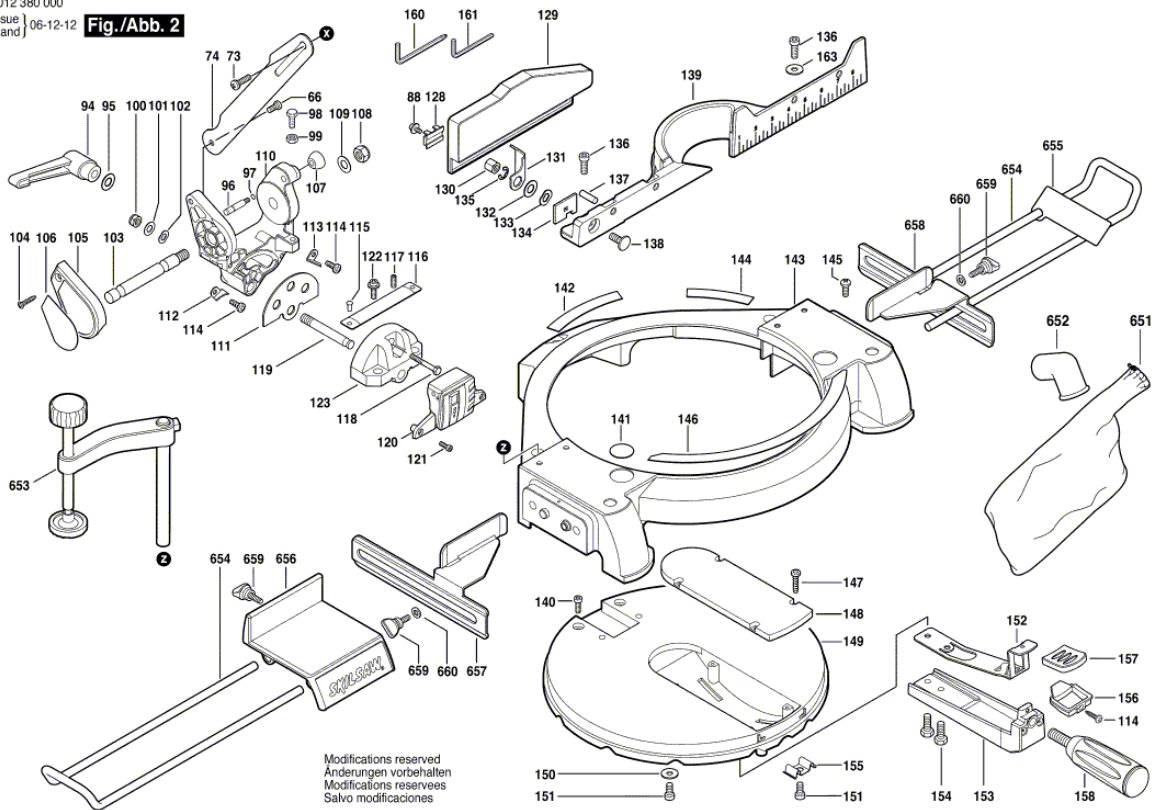
86	1	2 610 946 180	BUSHING	11	1
87	1	2 610 946 181	TRUNNION	10	1
88	3	2 610 946 182	SCREW	10	1
89	1	2 610 946 183	COVER	10	1
90	1	2 610 946 184	PAD	10	1
91	1	2 610 946 185	PIVOTING BLADE GUARD	40	1
92	1	2 610 946 186	CHIP DEFLECTOR	18	1
93	2	2 610 946 187	SCREW	10	1
94	1	2 610 946 188	LOCKING LEVER	20	2
95	1	2 610 946 189	WASHER	10	2
96	1	2 610 946 190	Pin	11	2
97	1	2 610 946 191	O-RING	10	2
98	1	2 610 946 192	TRUNNION	10	2
99	1	2 610 912 549	HEX NUT	10	2
100	1	2 610 946 193	NUT	10	2
101	1	2 610 946 194	WASHER	10	2
102	1	2 610 355 264	WASHER	15	2
103	1	2 610 946 195	SHAFT	15	2
104	1	2 610 946 196	SCREW	10	2
105	1	2 610 946 197	COVER	15	2
106	1	2 610 946 198	LABEL	12	2
107	1	2 610 946 199	KNOB	10	2
108	1	2 610 946 200	NUT	10	2
109	1	2 610 946 201	WASHER	10	2
110	1	2 610 946 202	BRACKET	32	2
111	1	2 610 946 203	SLIDE PLATE	11	2
112	1	2 610 946 204	POINTER	10	2
113	1	2 610 946 205	POINTER	10	2
114	3	2 610 911 466	SCREW / M 8x0.8-10	10	2
115	2	2 610 355 300	SCREW	10	2
116	1	2 610 946 206	SCALE	12	2
117	1	2 610 946 207	SCREW	10	2
118	1	2 610 946 208	TRUNNION	10	2
119	1	2 610 946 209	PIVOT SHAFT	12	2
120	1	2 610 946 210	LASER	40	1
121	2	2 610 946 211	SCREW	10	2
122	2	2 610 946 212	SCREW	10	2
123	1	2 610 946 213	SUPPORT	22	2
124	1	2 610 946 214	SLEEVE	10	1
125	1	2 610 946 215	TORSION SPRING	21	1
126	1	2 610 946 216	TRUNNION	14	1
127	2	2 610 946 217	FLANGE	19	1
128	1	2 610 946 218	HOLDER	10	2
129	1	2 610 946 219	SLIDING PLATE	26	2
130	1	2 610 967 439	NUT	10	2
131	1	2 610 946 220	LEVER	14	2
132	1	2 610 946 221	WASHER	10	2
133	1	2 610 358 439	PLAIN WASHER	10	2
134	1	2 610 946 222	PLATE	11	2
135	1	2 610 967 438	SPRING RETAINING RING	10	2
136	4	2 610 946 223	TRUNNION	10	2
137	1	2 610 946 224	Pin	10	2
138	1	2 610 992 372	STUD BOLT	10	2
139	1	2 610 946 225	MITRE FENCE	34	2
140	2	2 610 946 226	SCREW	10	2
141	2	2 610 946 227	WARNING LABEL	12	2
142	1	2 610 946 228	WARNING LABEL	15	2

143	1	2 610 946 229	BASE	42	2
144	1	2 610 946 230	WARNING LABEL	15	2
145	2	2 610 946 231	SCREW	10	2
146	1	2 610 946 232	SCALE	15	2
147	4	2 610 946 233	SCREW	10	2
148	1	2 610 946 234	INSERT	15	2
149	1	2 610 946 235	TABLE	38	2
150	2	2 610 946 236	WASHER	10	2
151	5	2 610 946 237	SCREW	10	2
152	1	2 610 946 238	SPRING	17	2
153	1	2 610 946 239	ARM BRACKET	20	2
154	2	2 610 922 091	SCREW	10	2
155	3	2 610 946 240	PLATE	15	2
156	1	2 610 946 241	INDICATOR	12	2
157	1	2 610 946 242	SLEEVE	10	2
158	1	2 610 946 243	HANDLE	19	2
159	1	2 610 946 244	LABEL	12	1
160	1	2 610 946 245	HEXAGON SOCKET WRENCH	12	2
161	1	2 615 303 046	HEXAGON SOCKET WRENCH		2
162	1	2 610 946 246	SCREW	10	1
163	2	2 610 302 311	WASHER	10	2
651	1	2 610 944 564	DUST BAG	19	2
652	1	2 610 944 565	ELBOW	12	2
653	1	2 610 944 566	CLAMP	27	2
654	2	2 610 944 567	EXTENSION SHAFT	27	2
655	1	2 610 944 568	STOP BLOCK	15	2
656	1	2 610 944 569	TABLE	29	2
657	1	2 610 944 570	STOP BRACKET	22	2
658	1	2 610 944 571	STOP BRACKET	22	2
659	3	2 610 944 572	KNOB	10	2
660	2	2 610 944 573	WASHER	10	2
810	1	2 610 993 231	CARBON-BRUSH SET	24	1



F012 380 000
Issue | 06-12-12
Stand |

Fig./Abb. 2



Modifications reserved
Änderungen vorbehalten
Modifications reserves
Salvo modificaciones